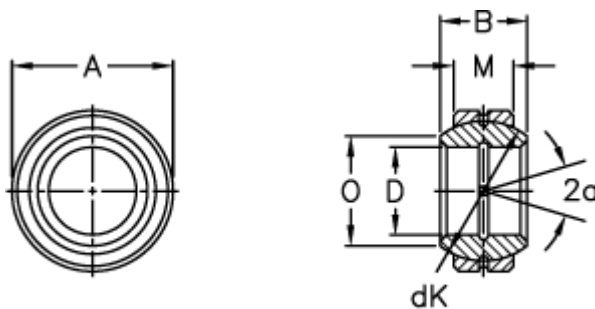


Article number: 03506260

Description: Fluro Rod end GE 260FO-2RS

## Measures



Str. 6-12 uden smørerille

A = 400 0 -0,040

B = 205

D = 260 0 -0,035

dK = 350

Dynamic load C (kN) = 3550

M = 120

O = 283.6

Static load C0 (kN) = 18000

Tilt angle = 15

Weight = 81700